

Counter-Top, Gravity, Combination Soft Serve/Yogurt, Shake Freezer

F144-I2 SF144-I2



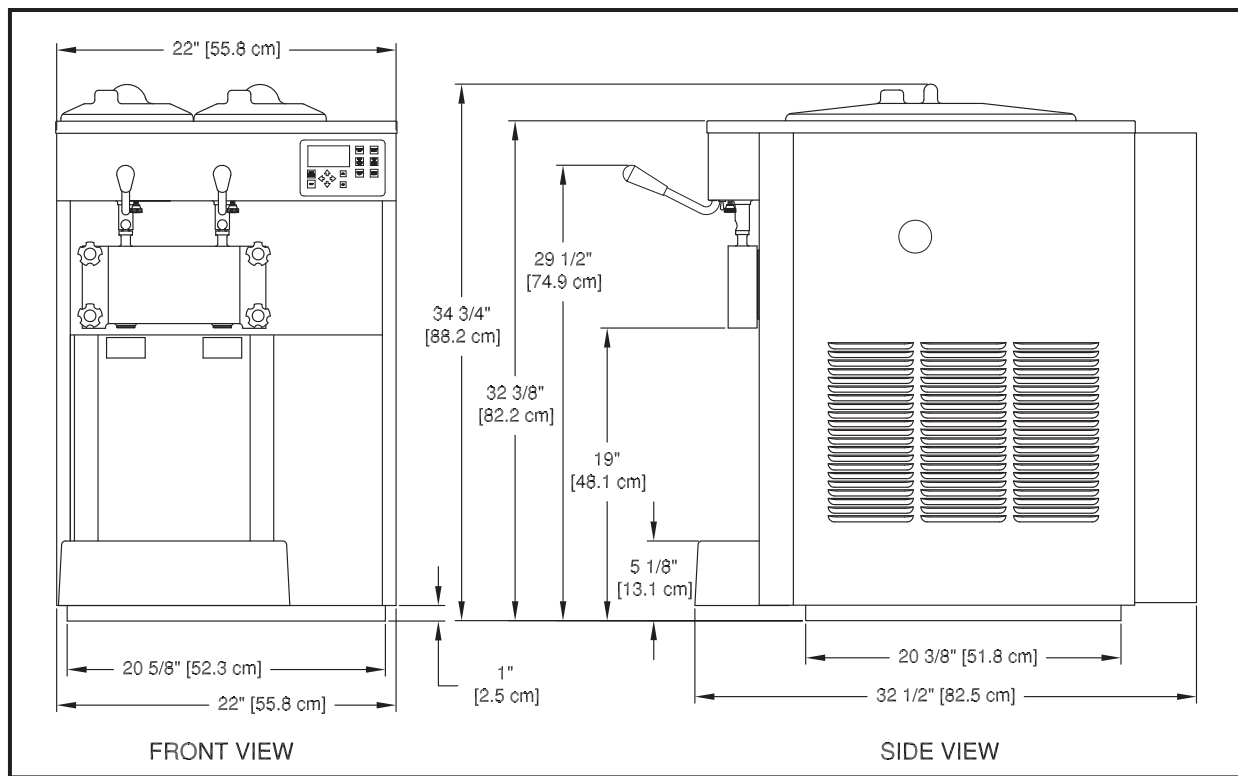
F144



- High production capacity with 12,000 BTU/hr compressor and two 3/4 hp drive motors.
- IntelliTec2™ control communicates with the operator through a multiline graphics LCD display using full text instructions.
- Self-sharpening, nonmetallic auger flights for reliable service.
- Product consistency is that of a very thick shake.
- Heavy-duty blender for shakes or mix-ins (standard with SF144, option for F144; field or factory installed).
- Allows the operator to dispense outstanding soft serve from the left side, and thick creamy shakes on the right side, with the convenience and cost of one unit.
- The F144 is the ideal choice for restaurants, drive-ins, recreational facilities, ice cream parlors, schools, and cafeterias.
- Durable stainless steel exterior.
- Optional floor stand, heavy duty blender (F144), side mounted blender, flavor dispenser.

SF144





Model F144 / SF144I2			
Dimensions	Machine	with crate	
	width	22" (55,9 cm)	28" (71,1 cm)
	height	34-3/4" (88,3 cm)	40-1/4" (102,2 cm)
depth	28-1/2" (72,4 cm)	35-1/4" (89,5 cm)	
Weight	385 lbs (174,6 kg)		
Electrical*	1 Phase, 208-240 VAC, 60Hz	3 Phase, 208-240 VAC, 60Hz	
	running amps 12A	10A	
connection type	NEMA6-20P power cord provided	NEMA L15-20P power cord provided	
International Option	1 Phase, 220-240 VAC, 50Hz		
Compressor	12,000 Btu/hr		
Drive Motor	Two - 3/4 hp		
Air Flow	Air cooled units require 3" (7,6 cm) air space on both sides		
Plumbing Fittings	Water cooled units require 3/8" N.P.T. water and drain fittings.		
Hopper Volume	Two - 3 gallon (11,35 liters)		
Freezing Cylinder Volume	Two - 0.85 gallon (3,22 liters)		

Continuous research leads to ongoing product improvements; therefore, these specifications are subject to change without notice and should not be used as installation specifications.

* Machine requires a dedicated electrical circuit.

Distributed by:



STOELTING
A VOLLRATH® COMPANY

stoeltingfoodservice.com

Stoelting Foodservice Equipment
502 Highway 67 • Kiel, WI 53042-1600
920-894-2293 • 800-558-5807
Fax: 920-894-7029
E-mail: foodservice@stoelting.com

Certified, Listed
and/or Recognized by:



ISO 9001:2008 Registered | STMF-133 4/13